

GERMAN RESEARCH VESSELS*

* except RVs from the Ministries of Defence (1 RV), Agriculture (3 RV), Traffic (6 RV)



POLARSTERN

- last 31 years for AWI, Bremerhaven
- more than 50 expeditions
- 310 days per year
- northern winter: Antarctic
- northern summer: Arctic
- reached North Pole for 3. time on 28. August 2011 at 09:42 UTC



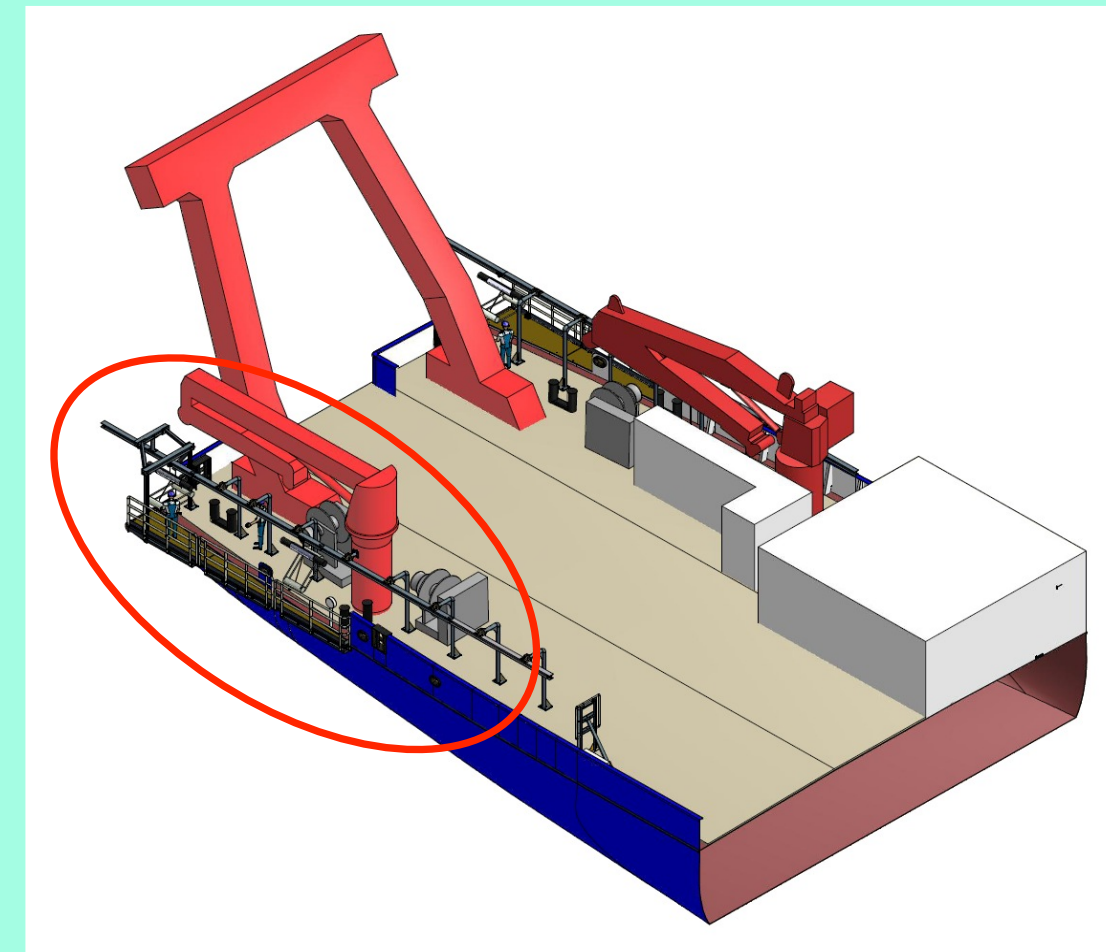
replacement of POLARSTERN is under discussion with scientific-technical and shipbuilding-technical requirements formulated:

- four design studies were carried out
- discussions about the form of call for tenders are under way

METEOR



- since 26 years 'flagship' for Federal Ministry of Education and Research (BMBF)
- now fulfilling its 87. expedition
- about 310 days per year at sea
- still running with no problems



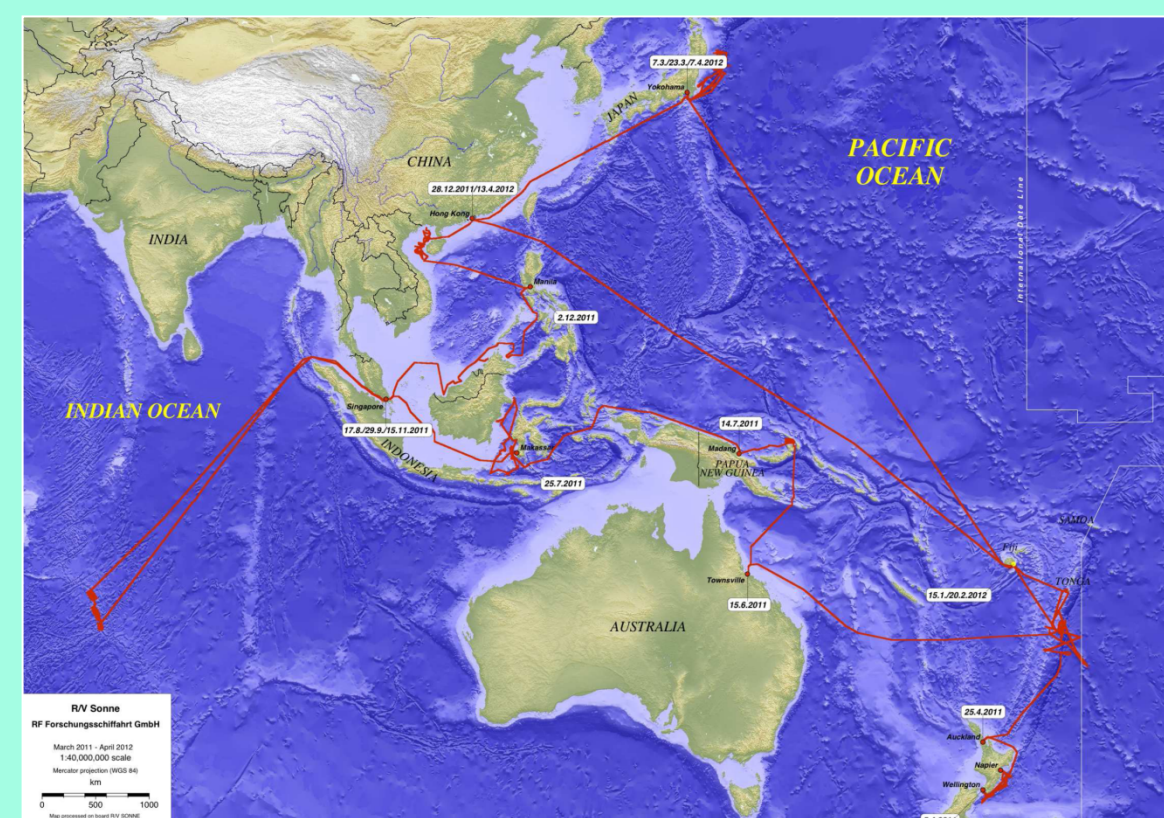
- new removable extensions for both sides of aft deck to obtain parallel bulwarks (port and starboard side) for seismic pulser arrays
- new wooden working deck

SONNE



- ship operates mainly in the Pacific and Indic (geophysical research)

- only privately owned (by RF, Bremen) ship in German fleet chartered by Federal Ministry of Education and Research for 250 days per year



- will be replaced in 2014/15 by governmental owned ship
- contract awarded to Meyer shipyard, Papenburg (famous for large cruise liners)
- construction is under way
- new design under discussion

MARIA S. MERIAN



- no more problems with pod-drives
- no problems whatsoever

- belonging to Leibniz Institute for Baltic Research, Warnemünde
- 310 days of service / year
- multidisciplinary research work

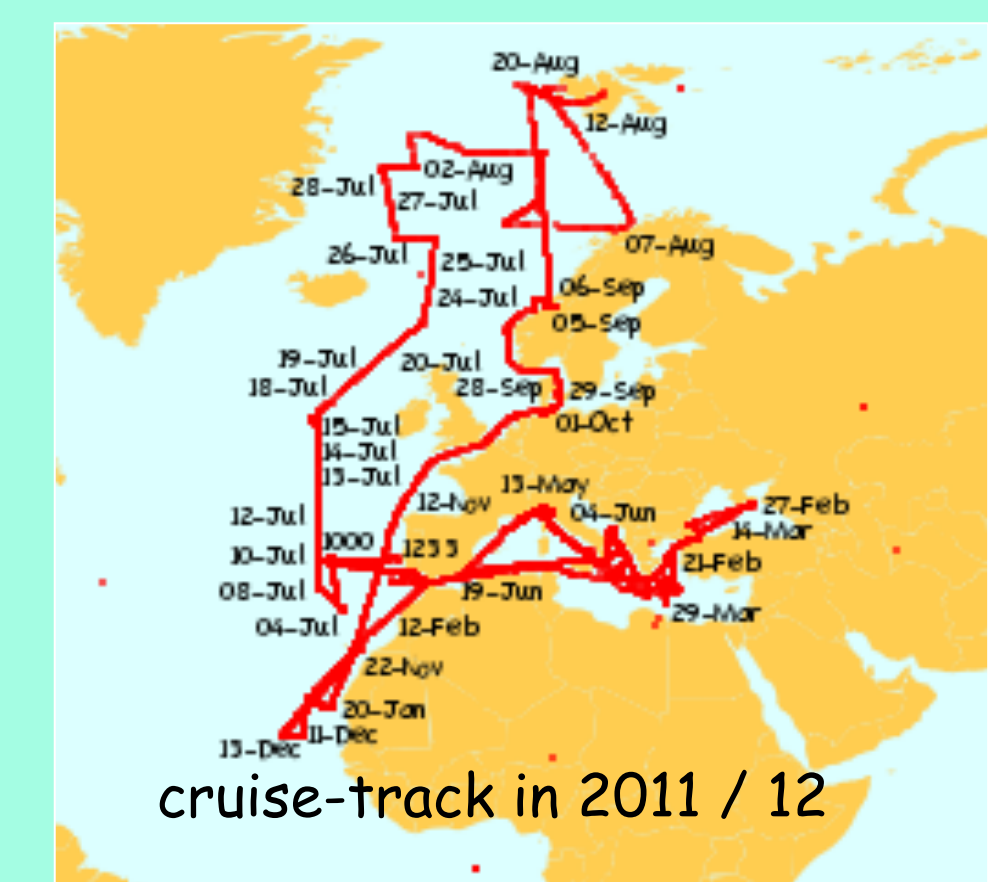


POSEIDON

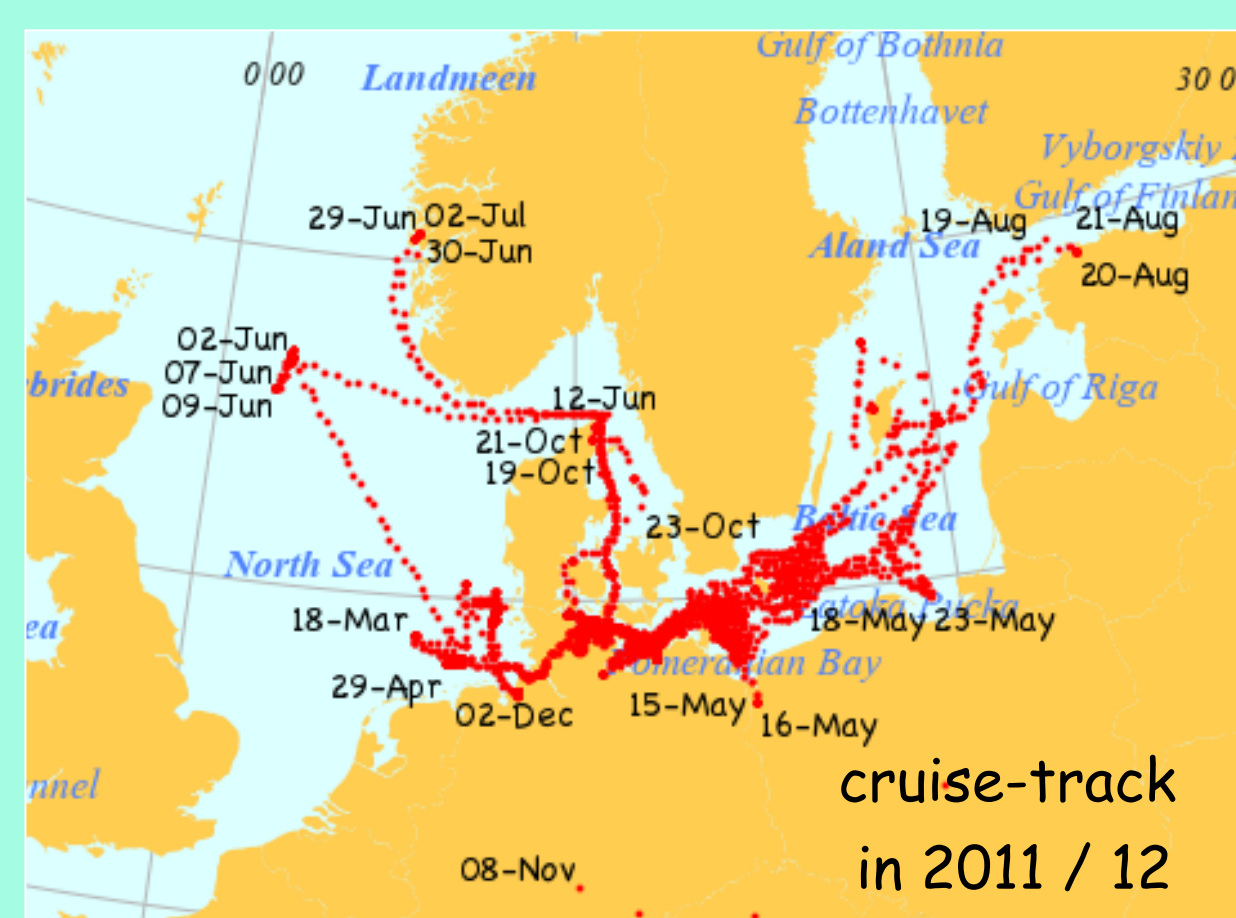


- ship is slowly ageing
- problems with hull thickness
- problems with shaft drive
- replacement promised by chancellor Angela Merkel during visit of GEOMAR

- the 'old lady' of GEOMAR, Kiel
- since 1976 a total of 433 expeditions



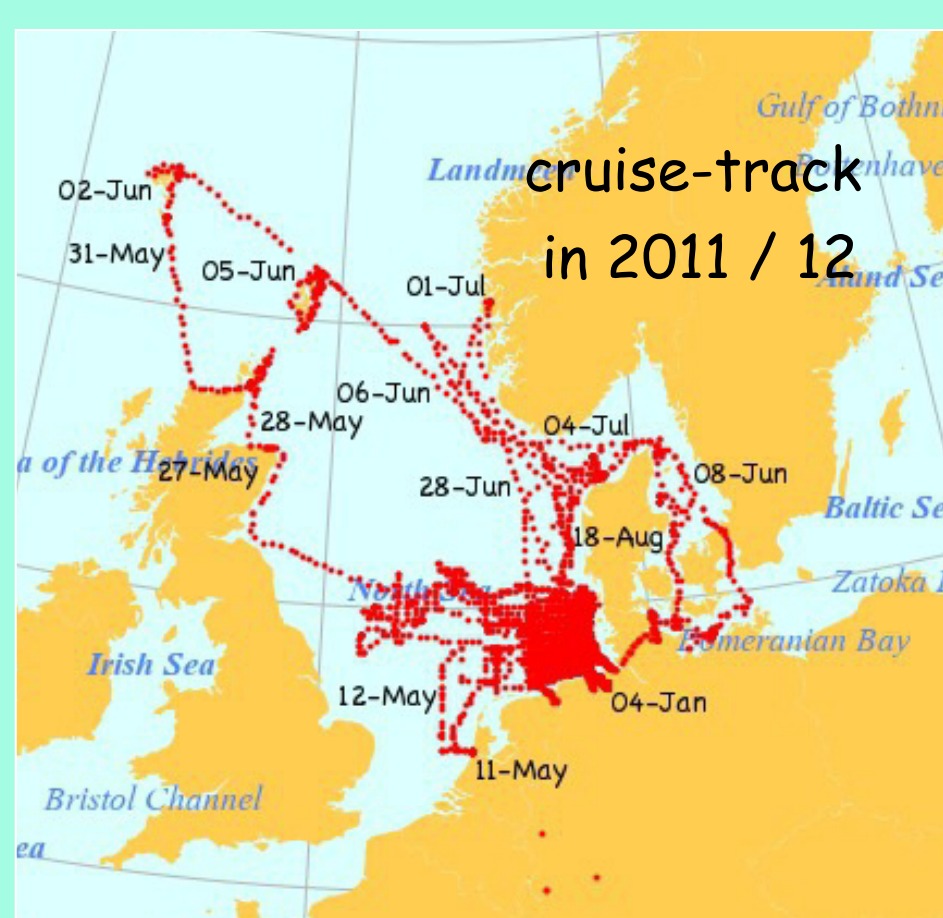
ALKOR



- since 1986 multidisciplinary (including fisheries) research cruises and some student practicals
- no problems whatsoever

- sister ships
- ALKOR belongs to GEOMAR, Kiel
- HEINCKE belongs to AWI, Bremerhaven

HEINCKE



ELISABETH MANN BOURGESE



from 1987 till 2011



since 2011 (find the differences...)



- 'newest' ship of Leibniz Institute for Baltic Research
- conversion from a navy multi-purpose vessel to a multidisciplinary research vessel (sea talk of L. Meinders)